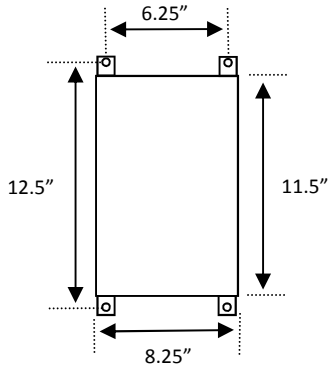


## FlowMark Model DS-1 Specification Sheet

Ozone System Treats Up To 300 Ton Cooling Towers



Enclosure Dimensions

- Corrosion Resistant Enclosure with Air Inlet Port
- Water Resistant Yellow and Green Indicators
- 10' Molded 110 VAC Power Cord
- Accepts only 110 -VAC
- Power Consumption 45 Watts. 1.0 Amps
- Designed for Continuous Operation

- PVC Constructed UV Lamp Housing.
- Replaceable UV Lamp.
- 4 Pin Waterproof Connector
- Lamp Life = 8,760 hours. (1 Year)
- 1/8" OD Male Barb Fitting accepts Diffuser tubing.



### Internal Components

- Rocker ON/OFF Switch
- Single Electronic UV Lamp Ballast
- Diaphragm Driver Air Pump supplies 15 liters/minute air flow at 1.3 PSI.
- Adjustable Flow Air Pump
- Internal Temperature = 100 Degrees F

- Single Milipore XL Ceramic Diffuser
- 1/8" Male Barb Connection
- 20" Long X 1/8" ID Tubing

One Year Manufacturers Warranty